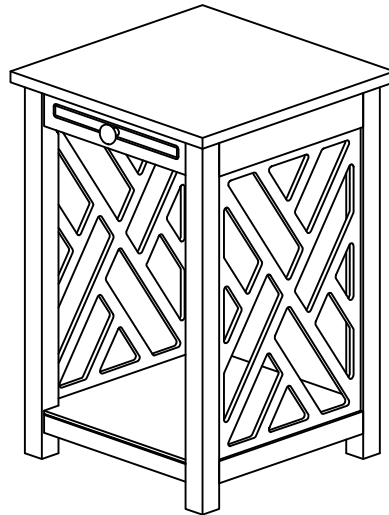


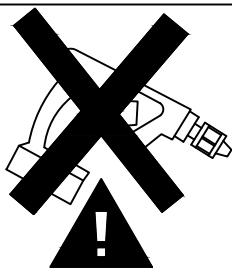
# ASSEMBLY INSTRUCTION

## END TABLE WITH 1 SHELF

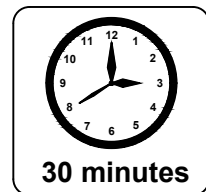
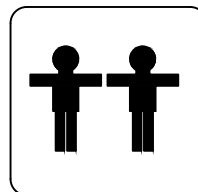


### REPLACEMENT PARTS

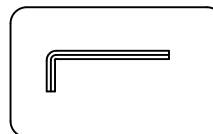
Please do not contact the company purchased from as we can help you faster.  
Order replacement parts and hardware at " [www.boltonfurniture.com](http://www.boltonfurniture.com) "



- . Use of power tool to assemble this product will invalidate any claim and damage this product making it unsafe !!!
- . Please assemble on a clean soft surface to avoid damage.

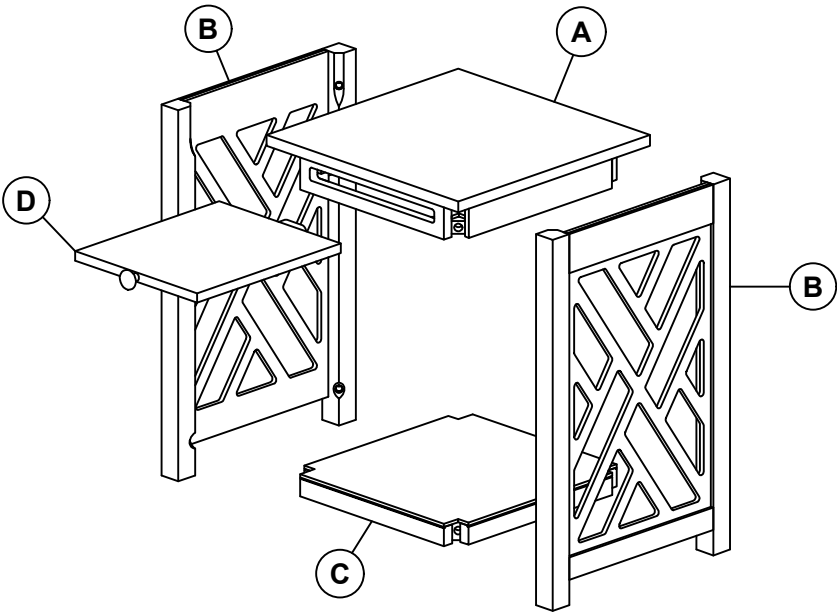


### Tools Required




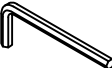
[www.boltonfurniture.com](http://www.boltonfurniture.com)


# Part list - End Table



Identifying the hardware-Identify the hardware using the illustrations below

**E**  **08**  
M6x45MM BOLT

**F**  **01**

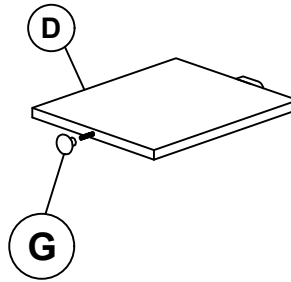
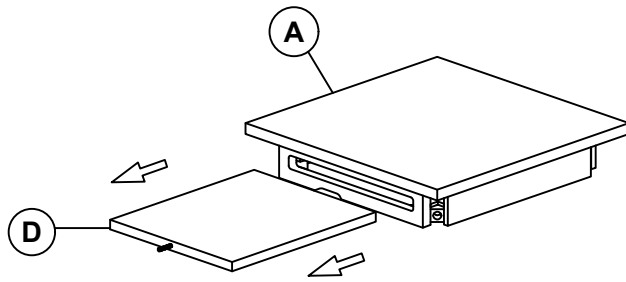
**G**  **01**

## Step 01

G



01



## Step 02

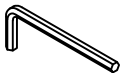
E



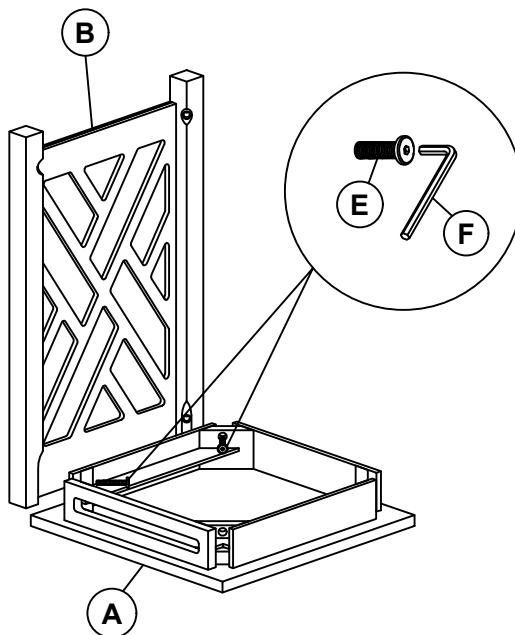
M6x45MM BOLT

04

F




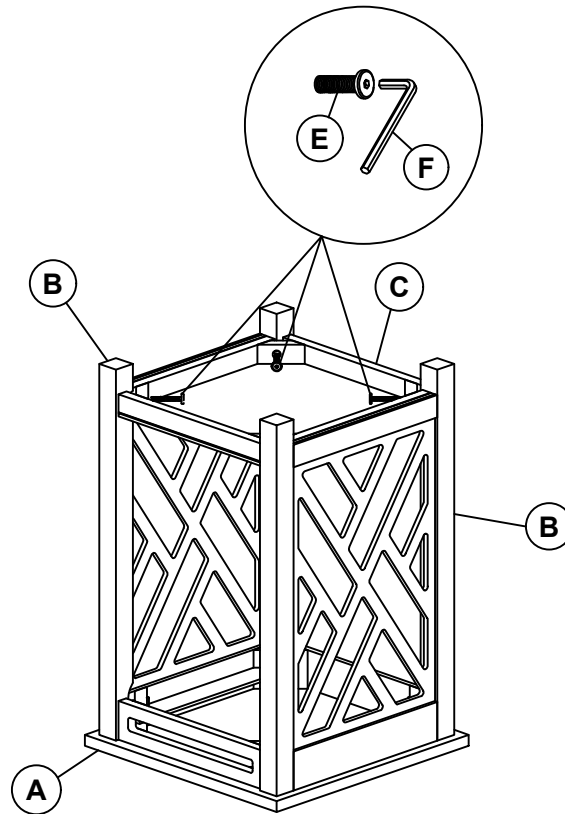
01



## Step 03

**E**  **04**  
M6x45MM BOLT

**F**  **01**



## Step 04

